

1

2

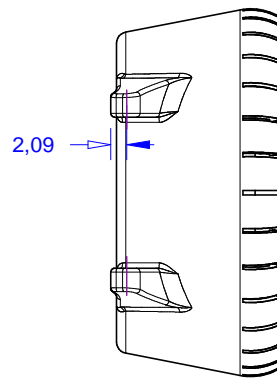
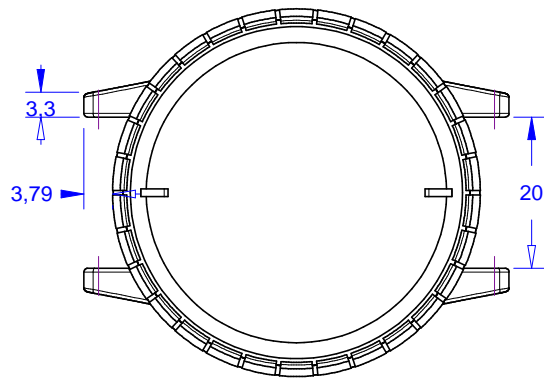
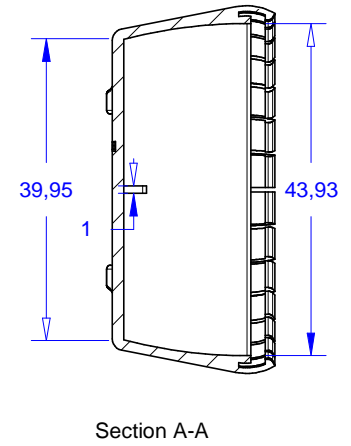
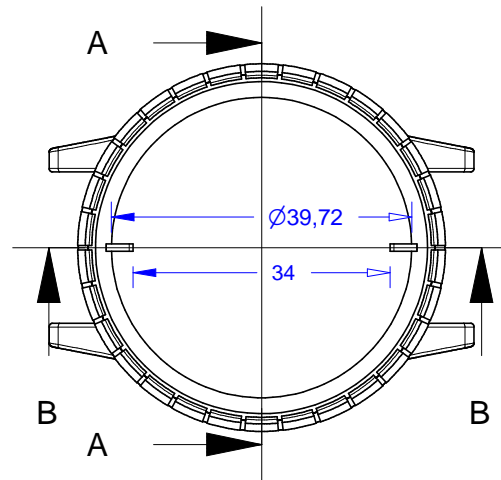
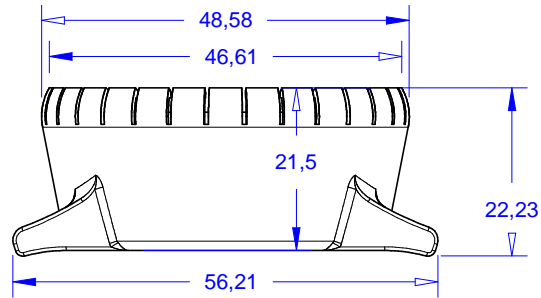
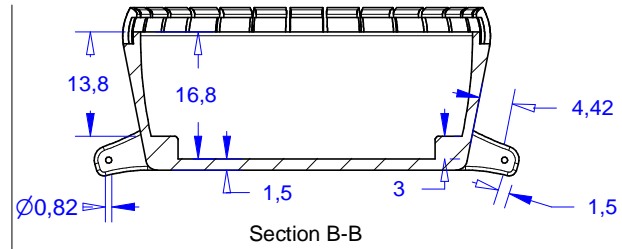
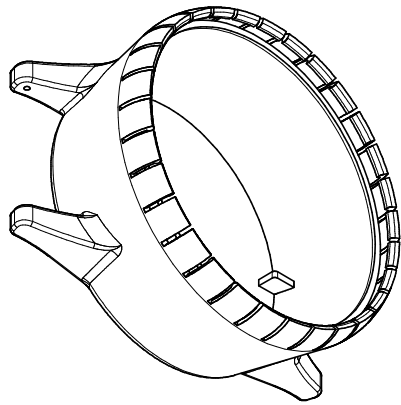
3

4

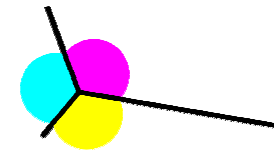
5

6

RevNo	Revision note	Date	Signature	Checked
-------	---------------	------	-----------	---------



M. Abbasi



Designed for Developers & Makers by: Mohsen Abbasi  
[www.mabbasi.de/s/about](http://www.mabbasi.de/s/about) - Twitter: @dercncplanner

Wearable Wrist Case | Part: Case  
 Model: WR1-16.5mm

Edition  
 1

Sheet  
 1

1

2

3

6