

1

2

3

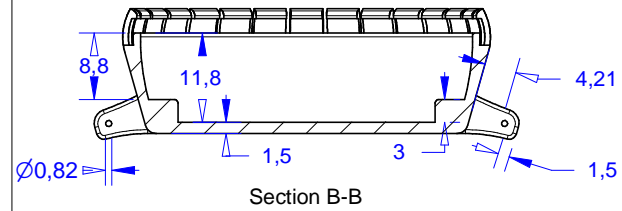
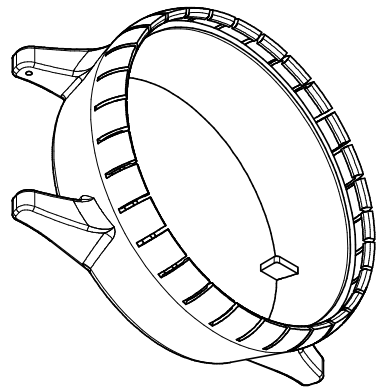
4

5

6

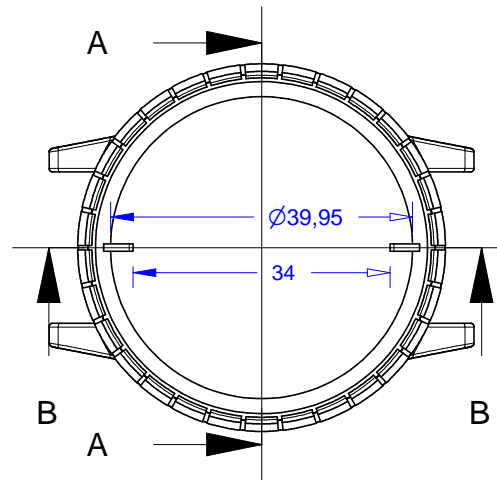
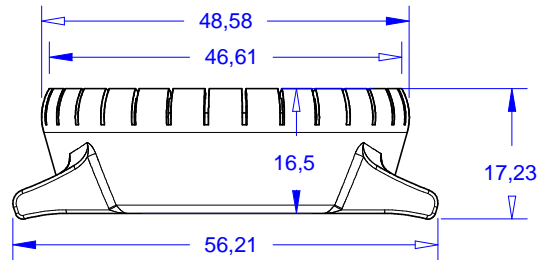
RevNo	Revision note	Date	Signature	Checked

A

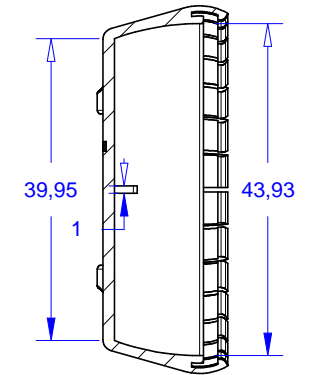


A

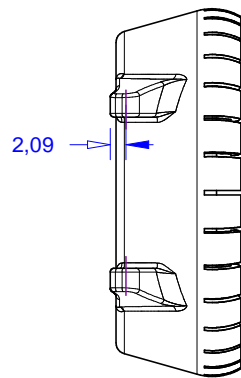
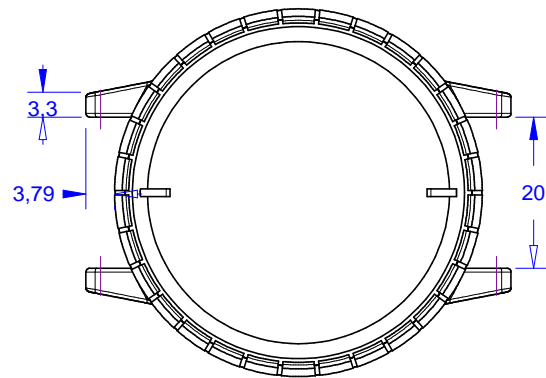
B



B



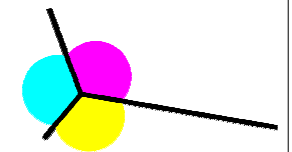
C



C

D

M. Abbasi



Designed for Developers & Makers by: Mohsen Abbasi
www.mabbasi.de/s/about - Twitter: @dercncplanner

Wearable Wrist Case | Part: Case
 Model: WR1-11.5mm

Edition
1

Sheet
1

1

2

3

6