

1

2

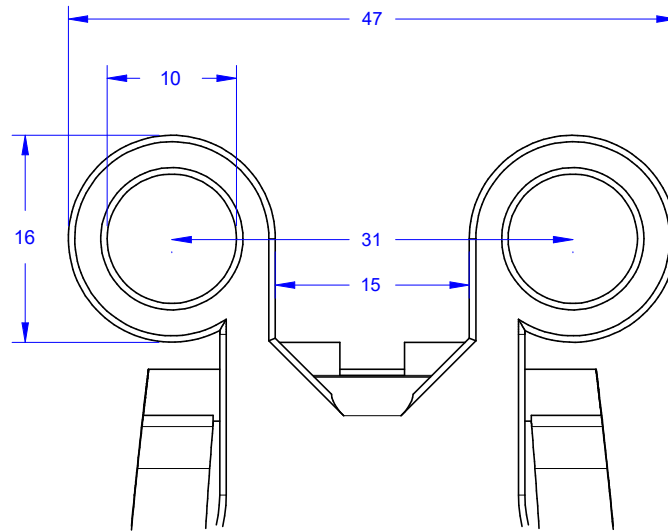
3

4

RevNo	Revision note	Date	Signature	Checked
-------	---------------	------	-----------	---------

A

A



B

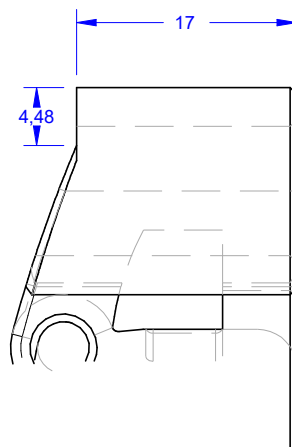
B

C

C

D

D



E

E

F

F

Itemref	Quantity	Title/Name, designation, material, dimension etc			Article No./Reference	
Drawn by Mohsen Abbasi		Checked by	Approved by - date	File name	Date 05/22/2016	Scale 2:1
www.mabbasi.de				Units: mm		Edition
						Sheet

1

4